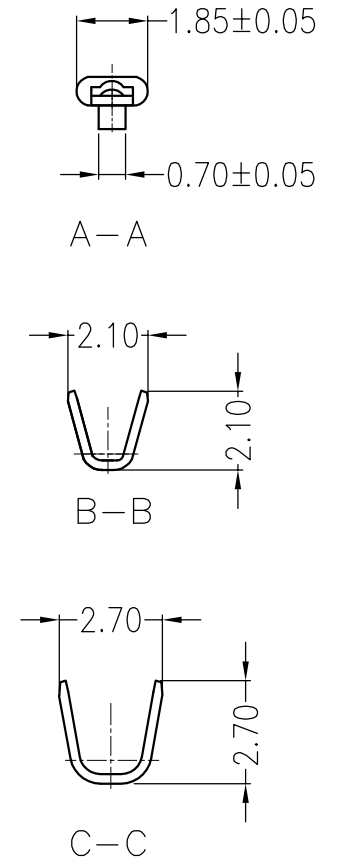
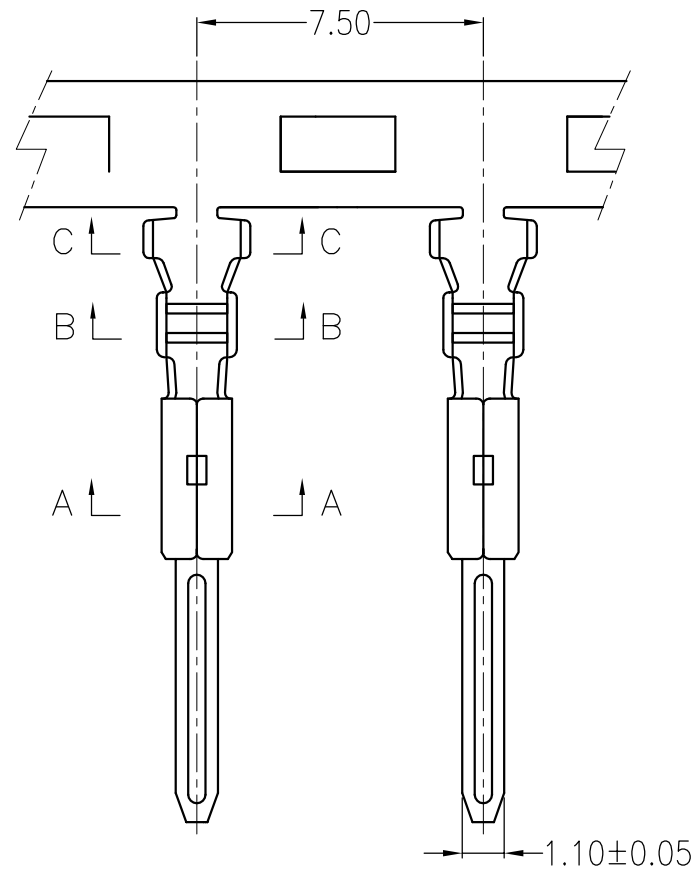
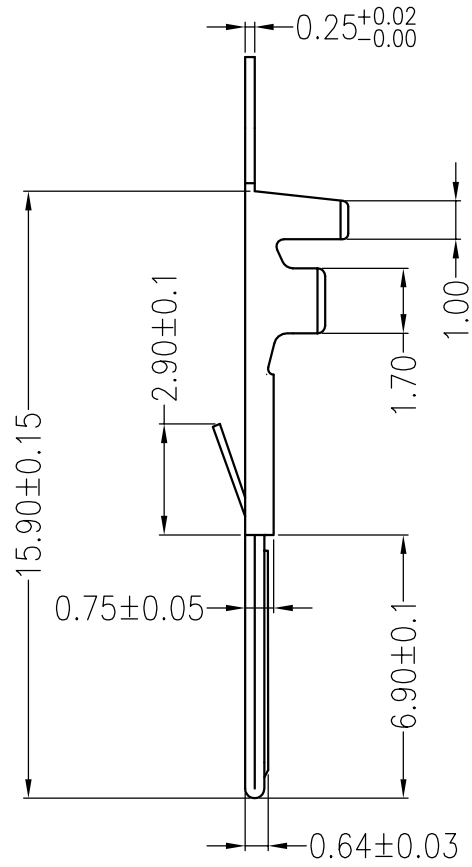


REV	ECN No.	DESCRIPTION	DESIGN	DATE
A0		Release	蒋建银	2018.01.20



Ordering Information & Specification:

Part No	Wire Range	Insulation O. D.	Material	Finish	Qty/Reel
C2501RT-PA	AWG #22~#28	1.0~1.80mm	Phosphor bronze	Sn-plated	10,000 pcs

JKUN 温州健坤接插件有限公司 WENZHOU JKUN CONNECTOR CO., LTD.			TITLE: C2501RT	
X±0.5	X±5'	USE: CUSTOMER	PART NO.: C2501RT-PA	
.X±0.3	.X±2'		DWG NO.: JKUN-GCDZ-0029	
.XX±0.25	.XX±1'	APPD: 邵敬和	SCALE 1 : 1	
--	--	CHKD: 田峰	SHEET 1 / 1	
⊕	◁	UNITS: mm	DR: 蒋建银	