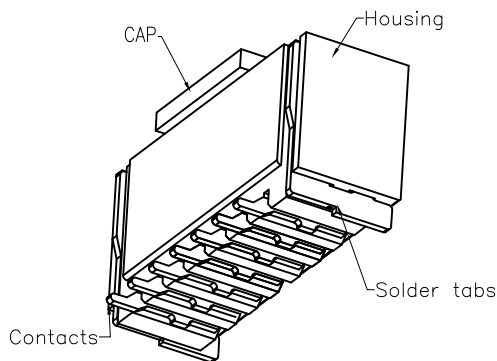
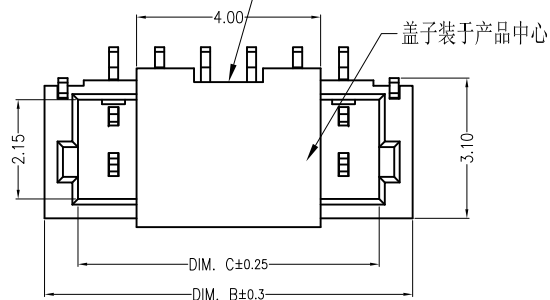


Assembly Layout

| REV | DESCRIPTION                             | DESIGN       | DATE       |
|-----|---|--------------|------------|
| A0  | NEW RELEASE                             | Wudanping    | 2017/05/24 |
| A1  | Add black material                      | Wudanping    | 2017/09/28 |
| A2  | Increase the gold-plating specification | Zhouxiulong  | 2017/10/06 |
| A3  | The correct current                     | Jiangjianyin | 2019/03/29 |

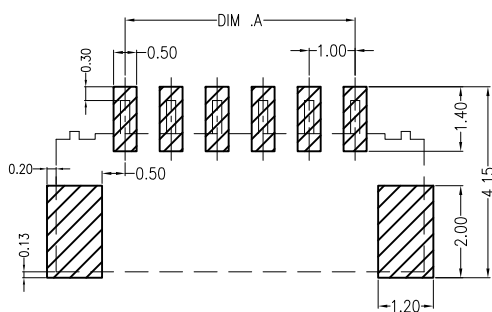
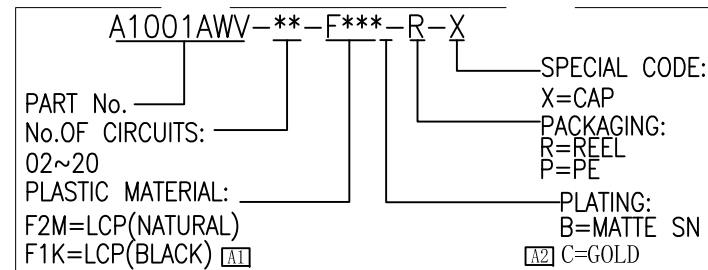
缺口为浇口工艺，减少自动机加盖卡料，  
缺口位置不固定，也可在另一侧



**Specifications:**

- Contact resistance:  $\leq 20\text{m}\Omega$
- Insulation resistance:  $\geq 100\text{M}\Omega$
- Rated voltage: 50V AC DC
- Rated current: 1.0A AC DC **A3**
- Withstand voltage: 500V AC/minute
- Temperature range:  $-25^{\circ}\text{C} \sim +105^{\circ}\text{C}$
- Housing: LCP UL94V-0 (Natural/Black)
- CAP: LCP UL94V-0, Natural
- Contacts: Phosphor bronze (Matte sn/Gold plating)
- Solder tabs: Phosphor bronze/Matte sn

**ORDER INFORMATION:**



Recommend PCB Layout

| Circuit | Dimensions (mm) |        |        |
|---------|-----------------|--------|--------|
|         | DIM. A          | DIM. B | DIM. C |
| 02      | 1.00            | 4.00   | 2.45   |
| 03      | 2.00            | 5.00   | 3.45   |
| 04      | 3.00            | 6.00   | 4.45   |
| 05      | 4.00            | 7.00   | 5.45   |
| 06      | 5.00            | 8.00   | 6.45   |
| 07      | 6.00            | 9.00   | 7.45   |
| 08      | 7.00            | 10.00  | 8.45   |
| 09      | 8.00            | 11.00  | 9.45   |
| 10      | 9.00            | 12.00  | 10.45  |
| 11      | 10.00           | 13.00  | 11.45  |
| 12      | 11.00           | 14.00  | 12.45  |
| 13      | 12.00           | 15.00  | 13.45  |
| 14      | 13.00           | 16.00  | 14.45  |
| 15      | 14.00           | 17.00  | 15.45  |
| 16      | 15.00           | 18.00  | 16.45  |
| 20      | 19.00           | 22.00  | 20.45  |

**JKUN** 温州健坤接插件有限公司  
WENZHOU JKUN CONNECTOR CO.,LTD.

TITLE:  
1.0mmPITCH 180°WAFER SMT TYPE

| GENERAL TOLERANCE |                      |
|-------------------|----------------------|
| X. $\pm 0.50$     | X. $\pm 5^{\circ}$   |
| X.X $\pm 0.30$    | X.X $\pm 2^{\circ}$  |
| X.XX $\pm 0.20$   | X.XX $\pm 1^{\circ}$ |

|       |               |
|-------|---------------|
| USE:  | CUSTOMER      |
| APPD: | Shaojinghe    |
| CHKD: | Zlinglingqing |
| DR:   | Jiangjianyin  |

|           |       |                     |
|-----------|-------|---------------------|
| PART NO.: |       | A1001AW-**-F***-R-X |
| DWG NO.:  |       | JKUN/GCKH-0502      |
| SCALE     | SHEET |                     |
| 1 : 1     | 1 / 1 |                     |



UNITS:  
mm