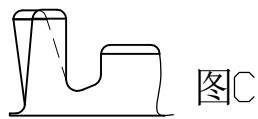
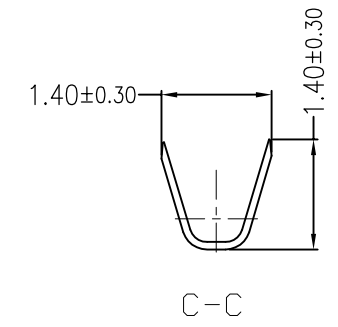
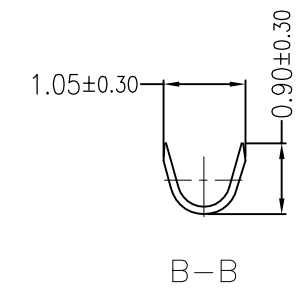
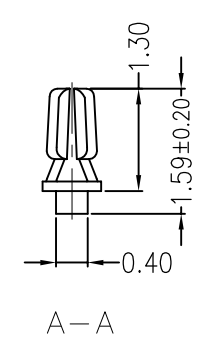
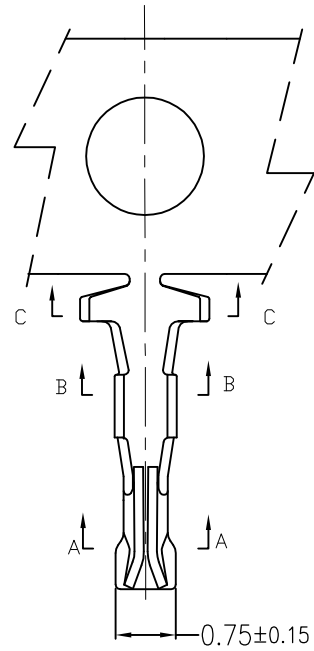
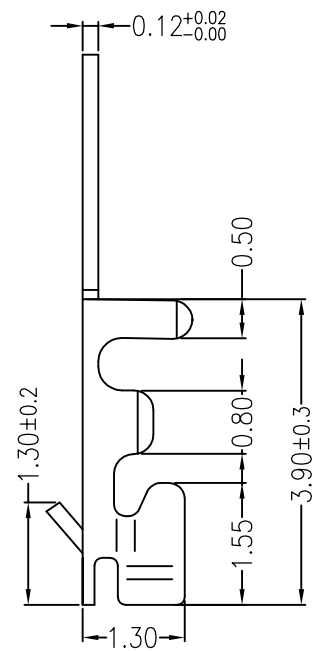


REV	DESCRIPTION	DESIGN	DATE
A0	Release	吴丹平	2016.05.25



### Ordering Information & Specification:

Part No	Wire Range	Insulation O.D.	Material	Finish	Qty/Reel
A1001T	AWG #28~#32	0.4-0.8mm	Phosphor bronze	Sn-plated	
<b>JKUN</b> 温州健坤接插件有限公司 WENZHOU JKUN CONNECTOR CO., LTD.				TITLE: -	
X.±0.5	X.±5'	USE: CUSTOMER		PART NO.:	
.X±0.3	.X±2'	APPD: 邵敬和		A1001T 端子	
.XX±0.25	.XX±1'	CHKD: 田峰		DWG NO.:	
--	--	DR: 吴丹平		JKUN/GCDZ-0001	
UNITS: mm		SCALE 1:1		SHEET 1 / 1	