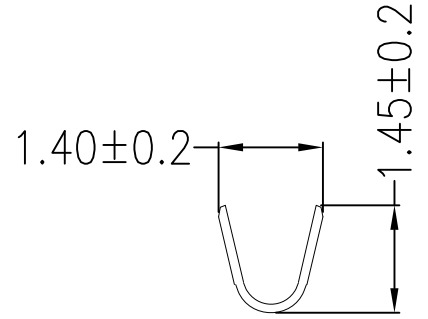
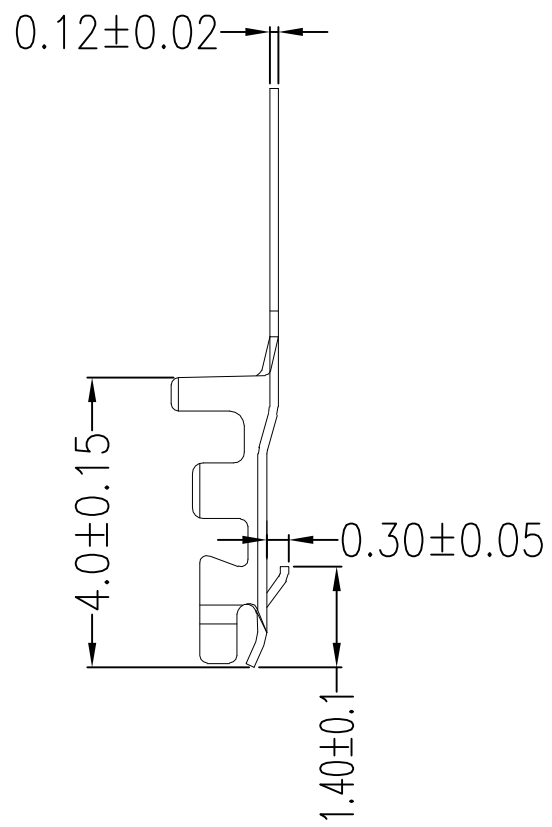
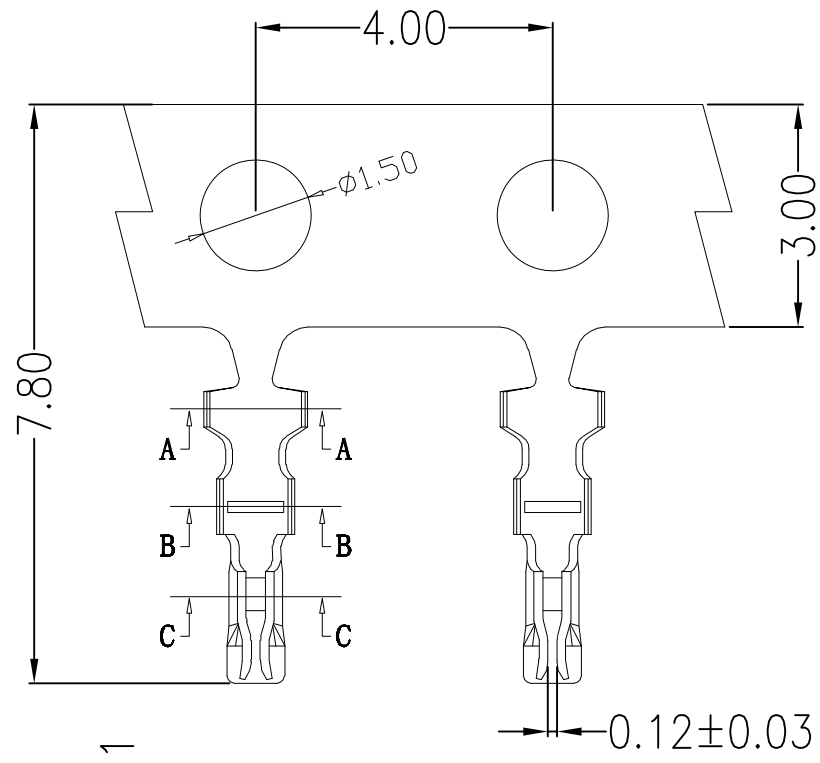
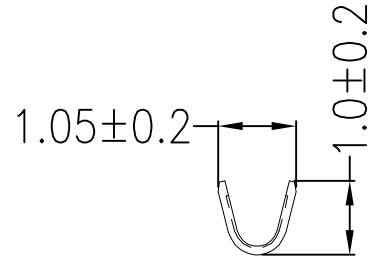


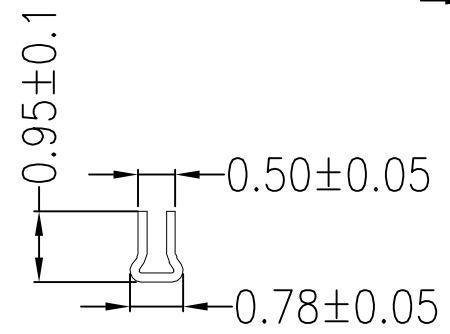
REV	ECN No.	DESCRIPTION	DESIGN	DATE
A0		Release	蒋建银	2018.05.30



Section A-A



Section B-B



Section C-C

Ordering Information & Specification:

Part No	Wire Range	Insulation O.D.	Material	Finish	Qty/Reel
A1003T-PA	AWG #28~#32	0.4~0.8mm	Phosphor bronze	Sn-plated	
<b>JKUN</b> 温州健坤接插件有限公司 WENZHOU JKUN CONNECTOR CO.,LTD.				TITLE: NH-T 端子 -	
X.±0.1	X.±1'	USE: MANUFACTURE		PART NO.:	
.X±0.05	.X±0.5'	APPD: 刘振岭		A1003T 端子	
.XX±0.01	.XX±0.1'	CHKD: 王亮		DWG NO.:	
.XXX±0.005	.XXX±0.05'	DR: 蒋建银		JKUN-GCDZ-0086	
UNITS: mm		SCALE		SHEET	
		1 : 1		1 / 1	