

A

B

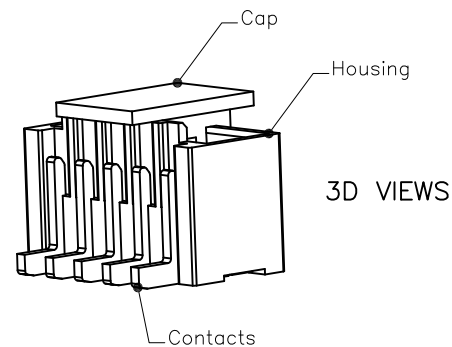
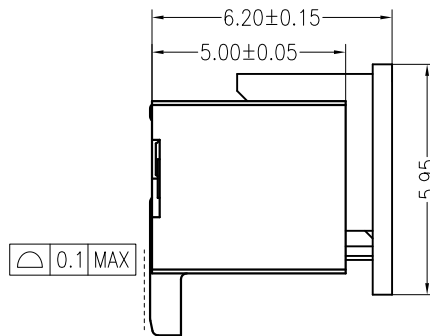
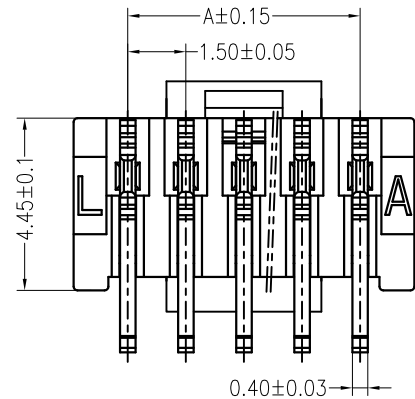
C

D

E

F

REV	DESCRIPTION	DESIGN	DATE
AO	NEW RELEASE	Jiangjianiyn	2018/01/20



3D VIEWS

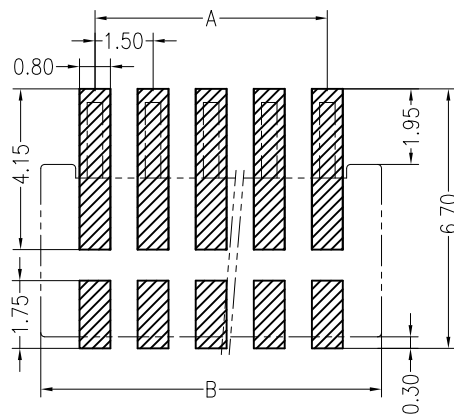
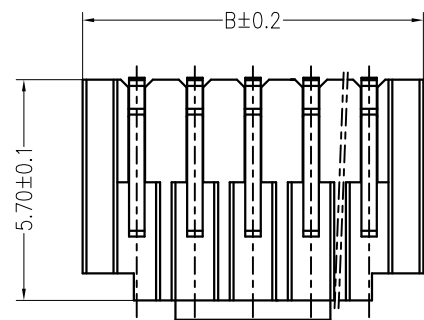
PIN.	DIM A	DIM B	DIM C
2pin	1.50	4.30	3.70
3pin	3.00	5.80	5.20
4pin	4.50	7.30	6.70
5pin	6.00	8.80	8.20
6pin	7.50	10.30	9.70
7pin	9.00	11.80	11.20
8pin	10.50	13.30	12.70
9pin	12.00	14.80	14.20
10pin	13.50	16.30	15.70
11pin	15.00	17.80	17.20
12pin	16.50	19.30	18.70
13pin	18.00	20.80	20.20
14pin	19.50	22.30	21.70
15pin	21.00	23.80	23.20

Specifications:

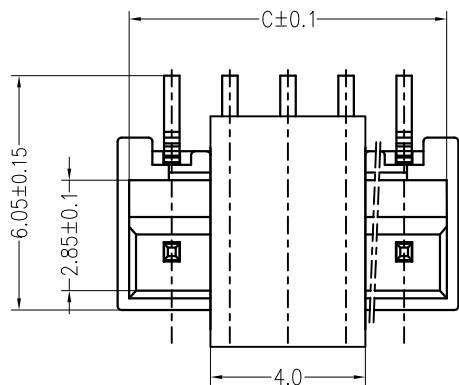
Contact resistance: $\leq 20m\Omega$
 Insulation resistance: $\geq 1000M\Omega$
 Rated voltage: 350V AC DC
 Rated current: 3.0A AC DC
 Withstand voltage: 500V AC/minute
 Temperature range: $-25^{\circ}C \sim +85^{\circ}C$
 Housing: LCP UL94V-0, Natural
 Cap: LCP UL94V-0, Natural
 Contacts: Phosphor bronze/MATTE Sn

ORDER INFORMATION:

A1504AWV-**-F4MB1-R-X	
PART No.	X:CAP
No.OF CIRCUITS:	PACKAGING:
02~15	R=REEL
PLASTIC MATERIAL:	P=PE
F4M=LCP(NATURAL)	METAL CODE:
	1=PHOSPHOR BRONZE
	PLATING:
	B=MATTE SN



SUGGESTED PCB LAYOUT



JKUN 温州健坤接插件有限公司 WENZHOU JKUN CONNECTOR CO.,LTD.		TITLE: 1.50mmPITCH 180°WAFER SMT TYPE	
GENERAL TOLERANCE		USE:	PART NO.:
X. ±0.50	X. ±5°	CUSTOMER	A1504AWV-**-F4MB1-R-X
X.X ±0.30	X.X ±2°	APPD: Shaojinghe	DWG NO.:
X.XX ±0.20	X.XX ±1°	CHKD: Zenglingqing	JKUN/GCKH-0747
UNITS: mm	DR: Jiangjianiyn	SCALE	SHEET
		1 : 1	1 / 1