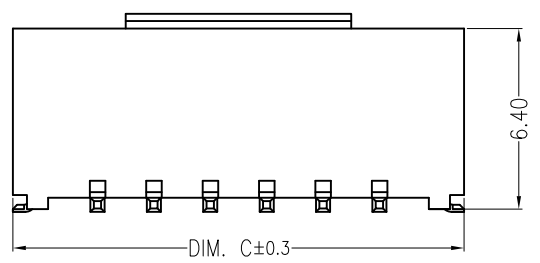
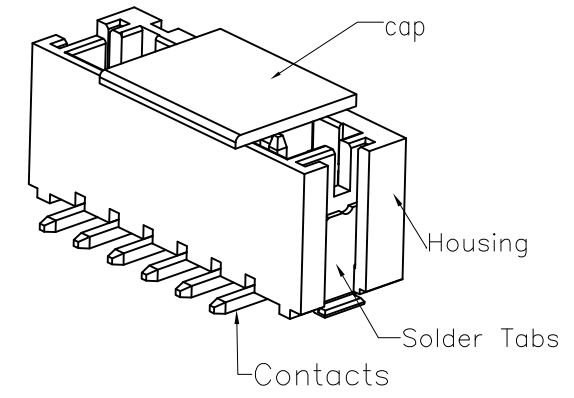
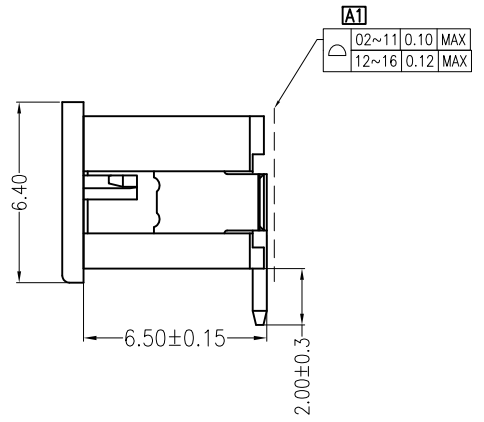
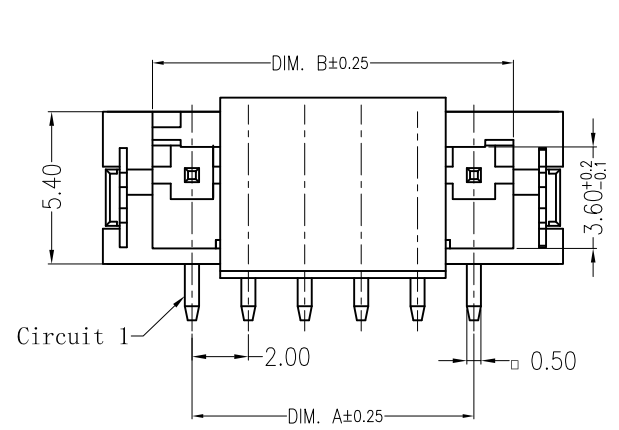


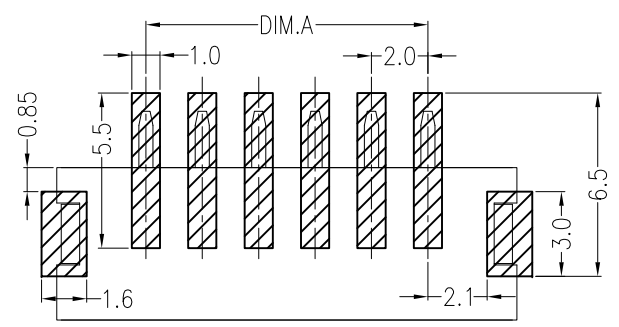
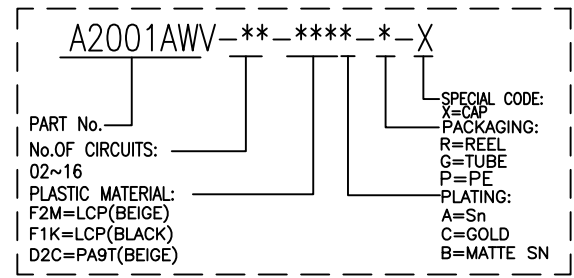
REV	DESCRIPTION	DESIGN	DATE
A0	NEW RELEASE	Wudanping	2016.05.07
A1	Adjust flatness	Jiangjianyin	2020/06/18



Specifications:
 Contact resistance: ≤20mΩ
 Insulation resistance: ≥1000MΩ
 Rated voltage: 250V AC DC
 Rated current: 2.0A AC DC
 Withstand Voltage: 1000V AC/minute
 Temperature Range: -25℃ ~ +105℃
 Housing: LCP/PA9T UL94V-0 (Nature/Black)
 Cap: LCP UL94V-0, Nature
 Contacts: Brass/(Sn or Matte Sn or Gold)
 Solder Tabs: Phosphor Bronze/(Sn or Matte Sn)

Circuits	Dimensions (mm)		
	DIM. A	DIM. B	DIM. C
02	2.00	4.80	8.00
03	4.00	6.80	10.00
04	6.00	8.80	12.00
05	8.00	10.80	14.00
06	10.00	12.80	16.00
07	12.00	14.80	18.00
08	14.00	16.80	20.00
09	16.00	18.80	22.00
10	18.00	20.80	24.00
11	20.00	22.80	26.00
12	22.00	24.80	28.00
13	24.00	26.80	30.00
14	26.00	28.80	32.00
15	28.00	30.80	34.00
16	30.00	32.80	36.00

ORDER INFORMATION:



SUGGESTED PCB LAYOUT

JKUN 温州健坤接插件有限公司 WENZHOU JKUN CONNECTOR CO.,LTD.		TITLE: 2.0mmPITCH 180°WAFER SMT TYPE	
		PART NO.: A2001AWV-**-****-*X	
GENERAL TOLERANCE		USE: CUSTOMER	
X. ±0.50	X. ±5°	APPD: Shaojinghe	
X.X ±0.30	X.X ±2°	CHKD: Zenglingqing	
X.XX ±0.20	X.XX ±1°	DR: Jiangjianyin	
UNITS: mm		SCALE 1 : 1	SHEET 1 / 1