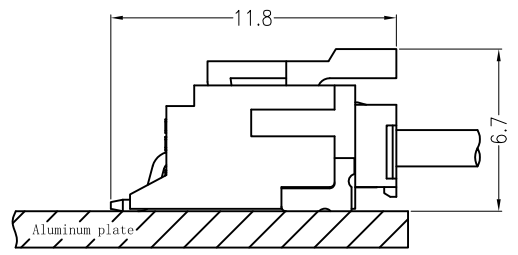
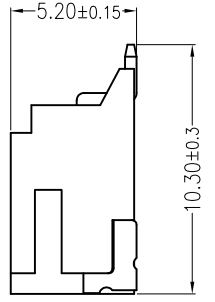
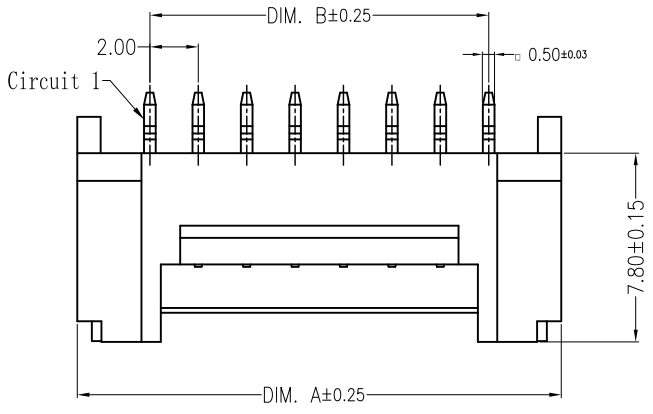
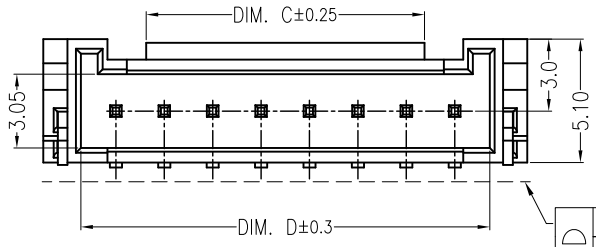


REV	DESCRIPTION	DESIGN	DATE
A0	NEW RELEASE	Wudanping	2016/04/10
A1	Change the size	Jiangjiayin	2018/04/19
A2	Adjust flatness	Jiangjiayin	2020/06/18

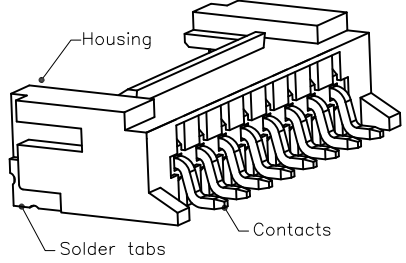


Assembly Layout



A2			
Ø	02~11	0.10	MAX
	12~16	0.12	MAX

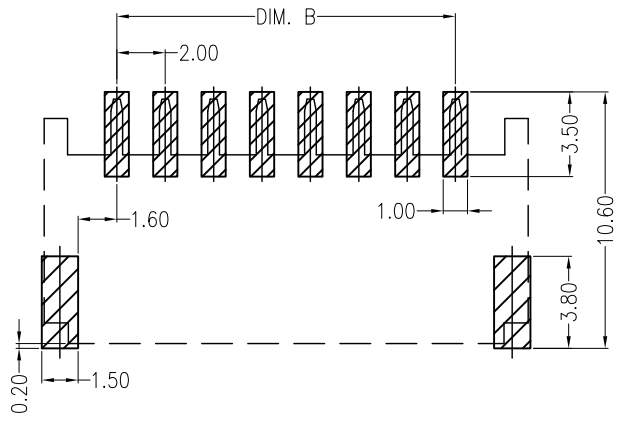
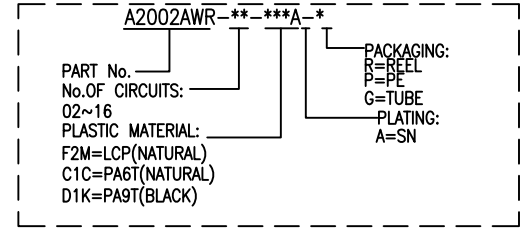
3D VIEWS



Specifications:

- Contact resistance: ≤20mΩ
- Insulation resistance: ≥1000MΩ
- Rated voltage: 250V AC DC
- Rated current: 2.0A AC DC
- Withstand voltage: 1000V AC/minute
- Temperature range: -25℃ ~ +105℃
- Housing: LCP/PA6T/PA9T, UL94V-0 (Natural, Black)
- Contacts: Brass/Sn
- Solder tabs: Brass/Sn

ORDER INFORMATION:



SUGGESTED PCB LAYOUT

Circuits	Dimensions (mm)			
	DIM. A	DIM. B	DIM. C	DIM. D
02	8.00	2.00	2.70 <sub>A1</sub>	4.75 <sub>A1</sub>
03	10.00	4.00	3.20 <sub>A1</sub>	6.75 <sub>A1</sub>
04	12.00	6.00	3.50	8.90
05	14.00	8.00	5.50	10.90
06	16.00	10.00	7.50	12.90
07	18.00	12.00	9.50	14.90
08	20.00	14.00	11.50	16.90
09	22.00	16.00	13.50	18.90
10	24.00	18.00	15.50	20.90
11	26.00	20.00	15.50	22.90
12	28.00	22.00	15.50	24.90
13	30.00	24.00	15.50	26.90
14	32.00	26.00	15.50	28.90
15	34.00	28.00	15.50	30.90
16	36.00	30.00	15.50	32.90

**JKUN** 温州健坤接插件有限公司  
WENZHOU JKUN CONNECTOR CO.,LTD.

GENERAL TOLERANCE	
X. ±0.50	X. ±5°
X.X ±0.30	X.X ±2°
X.XX ±0.20	X.XX ±1°

USE:
CUSTOMER
APPD: Shaojinghe
CHKD: Zenglingqing
DR: Jiangjiayin

TITLE: 2.00mm PITCH 90° WAFER SMT TYPE	
PART NO.: A2002AWR-**-***A-*	
DWG NO.: JKUN/GCKH-0530	
SCALE 1 : 1	SHEET 1 / 1



UNITS:  
mm