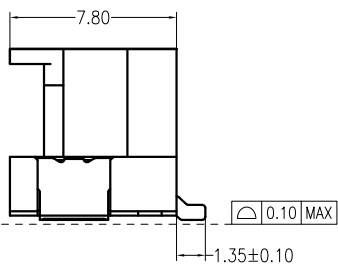
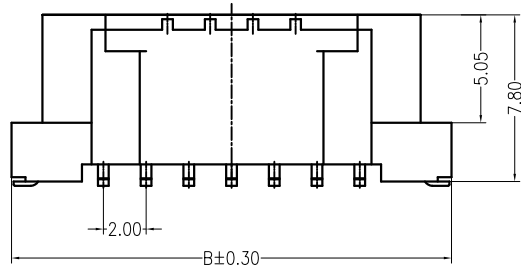
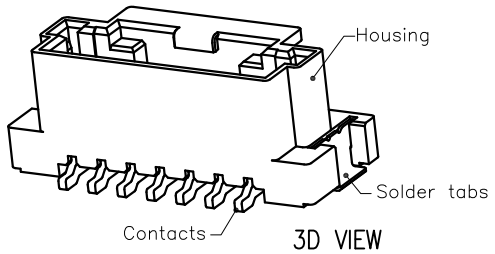
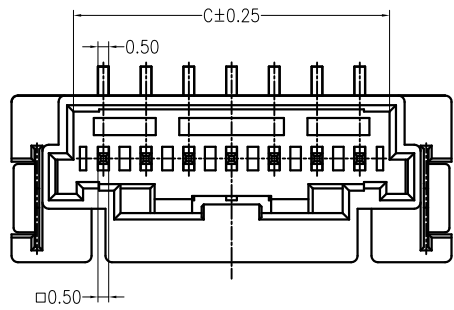


REV	DESCRIPTION	DESIGN	DATE
A0	NEW RELEASE	FangSongLe	2019/05/28
A1	Add LCP materials	Jiangjianyin	2020/07/27



Specifications:

Contact resistance: ≤10mΩ
 Insulation resistance: ≥1000MΩ
 Rated voltage: 125V AC DC
 Rated current: 3.0A AC DC
 Withstand Voltage: 500V AC/minute
 Temperature Range: -40°C ~ +105°C
 Housing: PA9T/LCP UL94V-0, Natural
 Contacts: Phosphor Bronze/MATTE Sn
 Solder Tabs: Brass/MATTE Sn

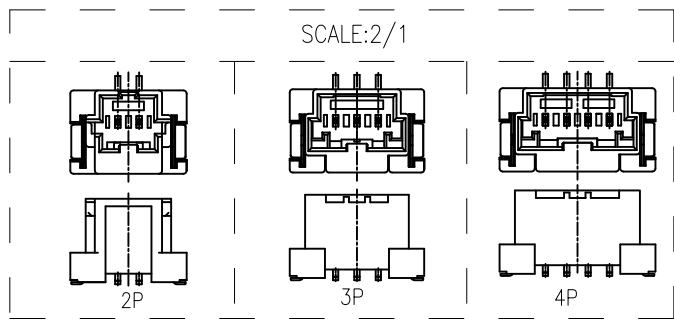
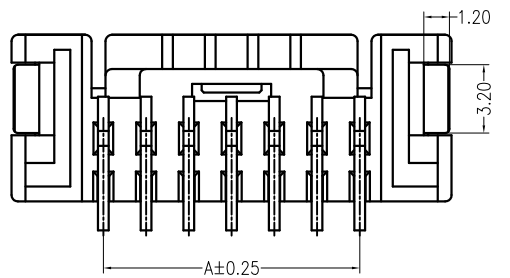
ORDER INFORMATION:

A2009AW--***B1-R**

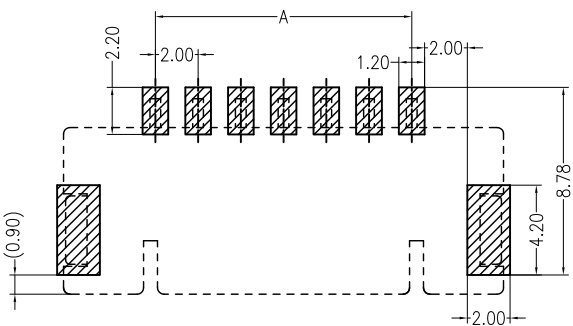
PART No. _____
 No. OF CIRCUITS: _____
 02-15
 PLASTIC MATERIAL: _____
 D1C=PA9T(NATURE)
 F3M=LCP(NATURE) [A]

PACKAGING:
 R=REEL

Metal code:
 1=PhosphorBronze
 PLATING:
 B=MATTE Sn



PIN	DIM A	DIM B	DIM C	PIN	DIM A	DIM B	DIM C
2	2.00	10.90	4.80	9	16.00	24.60	18.80
3	4.00	12.60	6.80	10	18.00	26.60	20.80
4	6.00	14.60	8.80	11	20.00	28.60	22.80
5	8.00	16.60	10.80	12	22.00	30.60	24.80
6	10.00	18.60	12.80	*13	24.00	32.60	26.80
7	12.00	20.60	14.80	*14	26.00	34.60	28.80
8	14.00	22.60	16.80	*15	28.00	36.60	30.80



SUGGESTED PCB LAYOUT

JKUN 温州健坤接插件有限公司
 WENZHOU JKUN CONNECTOR CO.,LTD.

TITLE:
 2.0 Pitch Wafer 180° SMT

GENERAL TOLERANCE	USE:	CUSTOMER	PART NO.:
X. ±0.50	X. ±5°		A2009AW-**-***B1-R
X.X ±0.30	X.X ±2°	APPD: Steven	DWG NO.:
X.XX ±0.20	X.XX ±1°	CHKD: Liuzhengling	JKUN-GCKH-0820
UNITS: mm	DR: FangSongLe	SCALE	SHEET
		1 : 1	1 / 1