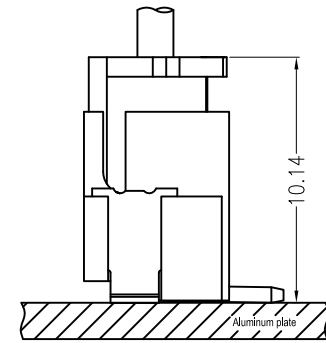
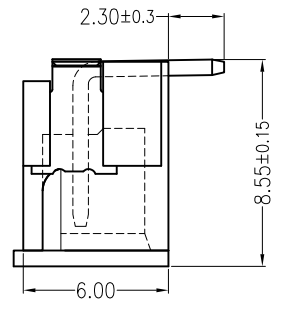
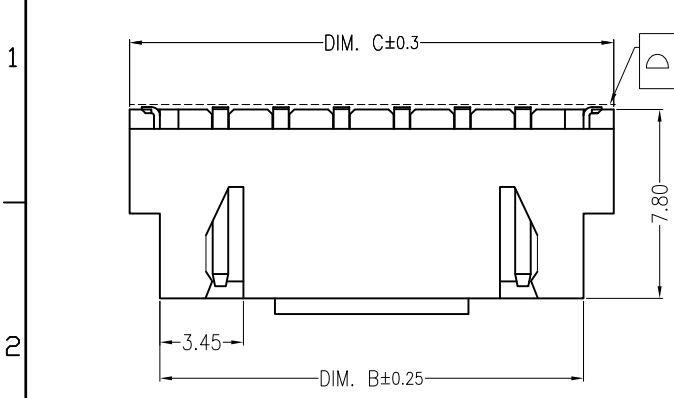
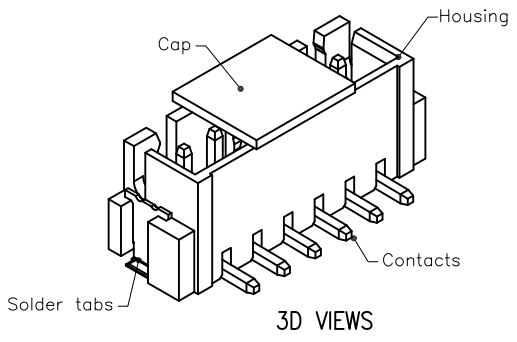
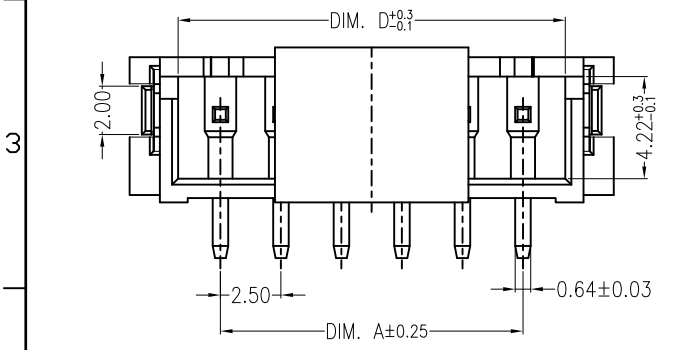


REV	DESCRIPTION	DESIGN	DATE
A0	NEW RELEASE	Wudanping	2016/05/19
A1	Adjust flatness	Jiangjianyin	2020/06/18



Assembly Layout

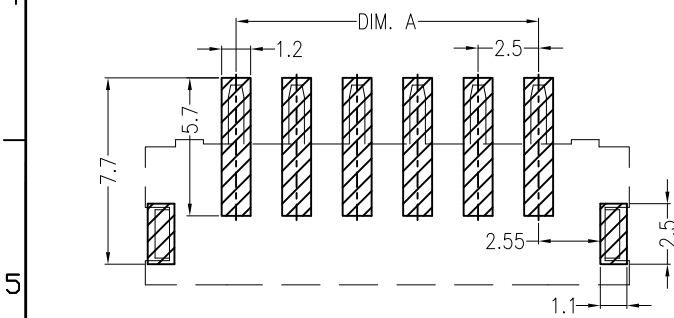
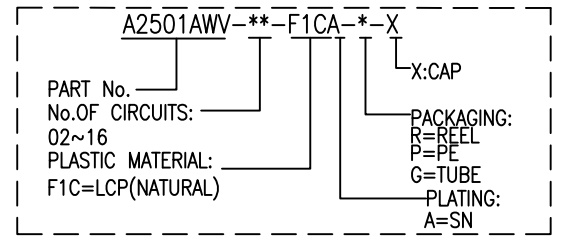


3D VIEWS

Specifications:

- Contact resistance: ≤ 20mΩ
- Insulation resistance: ≥ 1000MΩ
- Rated voltage: 250V AC DC
- Rated current: 3.0A AC DC
- Withstand voltage: 1000V AC/minute
- Temperature range: -25°C ~ +105°C
- Housing: LCP, UL94V-0, Natural
- Cap: LCP, UL94V-0, Natural
- Contacts: Brass/Sn
- Solder tabs: Phosphor Bronze/Sn

ORDER INFORMATION:



SUGGESTED PCB LAYOUT

Circuit	Dimensions (mm)			
	DIM. A	DIM. B	DIM. C	DIM. D
02	2.50	7.50	10.00	6.00
03	5.00	10.00	12.50	8.50
04	7.50	12.50	15.00	11.00
05	10.00	15.00	17.50	13.50
06	12.50	17.50	20.00	16.00
07	15.00	20.00	22.50	18.50
08	17.50	22.50	25.00	21.00
09	20.00	25.00	27.50	23.50
10	22.50	27.50	30.00	26.00
11	25.00	30.00	32.50	28.50
12	27.50	32.50	35.00	31.00
13	30.00	35.00	37.50	33.50
14	32.50	37.50	40.00	36.00
15	35.00	40.00	42.50	38.50
16	37.50	42.50	45.00	41.00

JKUN 温州健坤接插件有限公司
WENZHOU JKUN CONNECTOR CO.,LTD.

GENERAL TOLERANCE		USE:
X. ±0.50	X. ±5°	CUSTOMER
X.X ±0.30	X.X ±2°	APPD: Shaojinghe
X.XX ±0.20	X.XX ±1°	CHKD: Zenglingqing
UNITS: mm		DR: Jiangjianyin

TITLE: 2.50mmPITCH 180°WAFER SMT TYPE	
PART NO.: A2501AWV-**-F1CA-*-X	
DWG NO.: JKUN/GCKH-0543	
SCALE 1 : 1	SHEET 1 / 1