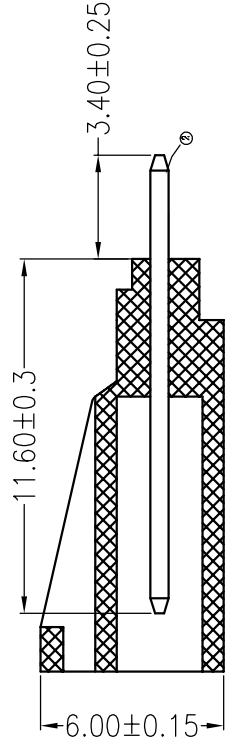
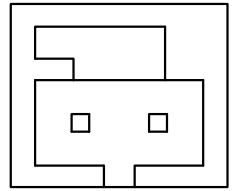
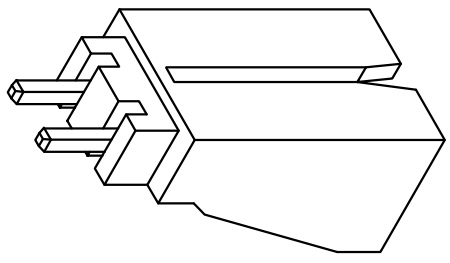
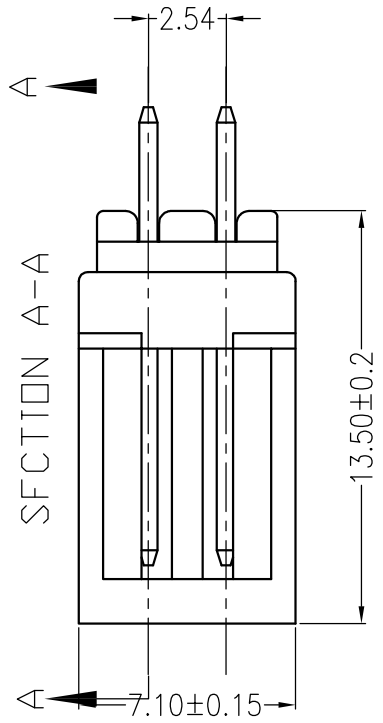


REV	DESCRIPTION	DESIGN	DATE
A0	Release	蒋建银	2018.09.01



SECTION A-A



SECTION A-A

主要技术参数 Main Specifications

- 线数 (Poles): 02
- 接触电阻 (Contact resistance): $\leq 20m\Omega$
- 绝缘电阻 (Insulation resistance): $\geq 1000M\Omega$
- 额定电压 (Rated voltage): 250V AC DC
- 额定电流 (Rated current): 3.0A AC DC
- 耐电压 (Withstand Voltage): 1500V AC/minute
- 温度范围 (Temperature Range): $-25^{\circ}C \sim +85^{\circ}C$

ORDER INFORMATION:

A2544A-02-A5KA2-P

PART No.:	A2544A(BLACK)	PACKAGING:	P=PE
No.OF CIRCUITS:	02	Metal code:	2=Brass
PLASTIC MATERIAL:	A5K=PA66(BLACK)	PLATING:	A=Sn

ITEM	COMPONENT	Q'TY	MATERIAL	FINISH
C				
B	CONTACT	2 PCS	Brass	Sn-plated
A	PEDESTAL	1 PCS	PA66	COLOR:BLACK

JKUN 温州健坤接插件有限公司 WENZHOU JKUN CONNECTOR CO., LTD.			TITLE: - 2.54mmPITCH 90°WAFER DIP TYPE	
X.±0.5	X.±5'	USE: CUSTOMER	PART NO.:	
.X±0.3	.X±2'		A2544A-02-A5KA2-P	
.XX±0.25	.XX±1'	APPD: 邵敬和	DWG NO.:	
--	--	CHKD: 田峰	JKUN-GCCP-0781	
⊕	UNITS: mm	DR: 蒋建银	SCALE 1 : 1	SHEET 1 / 1