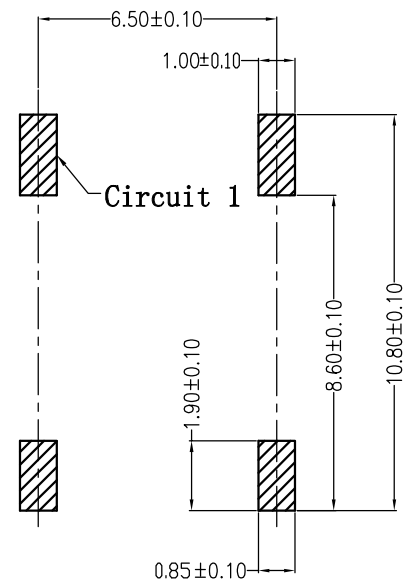
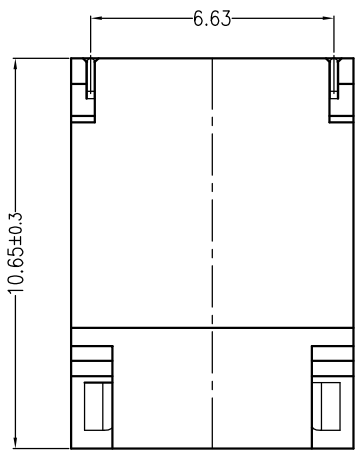
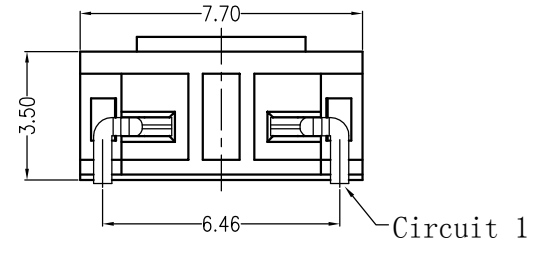
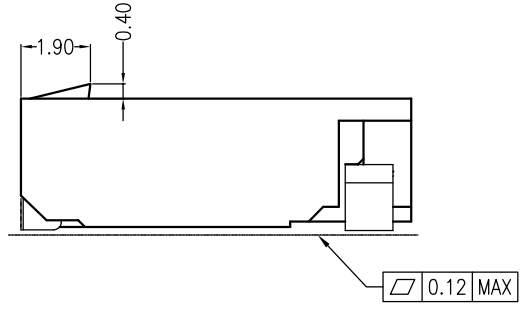
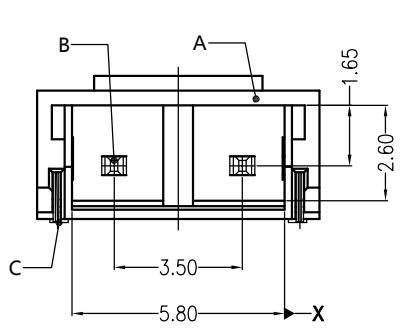


REV	DESCRIPTION	DESIGN	DATE
A0	Release	吴丹平	2016.11.11



主要技术参数 Main Specifications

线 数 (Poles): 02
 接触电阻 (Contact resistance): $\leq 10m\Omega$
 绝缘电阻 (Insulation resistance): $\geq 1000M\Omega$
 额定电压 (Rated voltage): 1400V AC DC
 额定电流 (Rated current): 1.0A AC DC
 耐 电 压 (Withstand Voltage): 3800V AC/minute
 温度范围 (Temperature Range): $-25^{\circ}C \sim +105^{\circ}C$

ORDER INFORMATION:

A3502AWR-02-F3MA-R

PART No.		PACKAGING:	
No. OF CIRCUITS:		R=REEL	
02		P=PE	
PLASTIC MATERIAL:		PLATING:	
F3M=LCP (BEIGE)		A=Sn	

SUGGESTED PCB LAYOUT
(COMPONENT SIDE)

ITEM	COMPONENT	Q'TY	MATERIAL	FINISH
C	SOLDER TAB	2 PCS	PhosphorBronze	Sn-plated
B	CONTACT	2 PCS	PhosphorBronze	Sn-plated
A	PEDESTAL	1 PCS	LCP	UL 94V-0, COLOR:BEIGE

JKUN 温州健坤接插件有限公司 WENZHOU JKUN CONNECTOR CO.,LTD.		TITLE: - 3.5mmPITCH 90°WAFER SMT TYPE	
X.±0.5	X.±5'	USE:	PART NO.:
.X±0.3	.X±2'	CUSTOMER	A3502AWR-02-F3MA-R
.XX±0.25	.XX±1'	APPD:	DWG NO.:
--	--	邵敬和	JKUN-GCCP-0567
⊕	△	CHKD:	SCALE
UNITS:	DR:	田峰	1 : 1
mm	蒋建银	SHEET	1 / 1