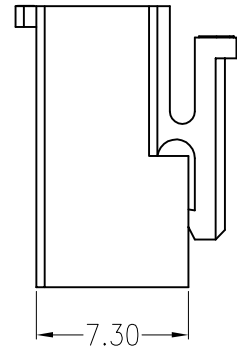
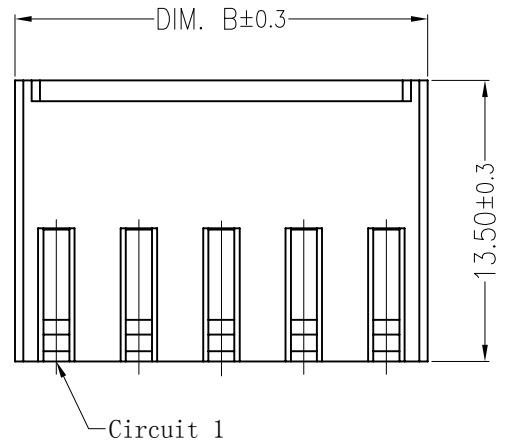
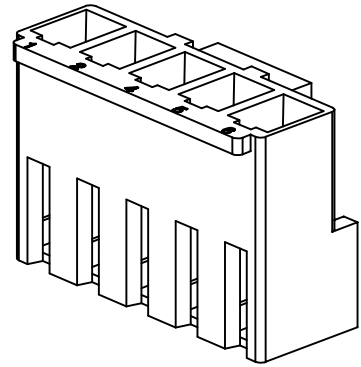
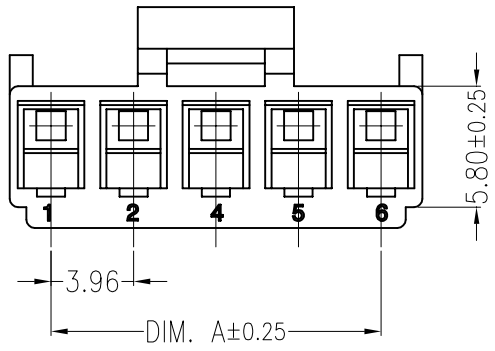


REV	DESCRIPTION	DESIGN	DATE
A0	Release	吴丹平	2017.08.26



主要技术参数 Main Specifications

线 数 (Poles): 02 to 16  
 接触电阻 (Contact resistance):  $\leq 20m\Omega$   
 绝缘电阻 (Insulation resistance):  $\geq 1000M\Omega$   
 额定电压 (Rated voltage): 250V AC DC  
 额定电流 (Rated current): 7.0A AC DC  
 耐 电 压 (Withstand Voltage): 1500V AC/minute  
 温度范围 (Temperature Range):  $-25^{\circ}C \sim +85^{\circ}C$

ORDER INFORMATION:

<b>A3962Y-**-A6W-P</b>	
PART No.	PACKAGING: P=PE
No. OF CIRCUITS: 02~14	PLASTIC MATERIAL: A6W=PA66 (WHITE)

Circuits	Dimensions (mm)		Circuits	Dimensions (mm)	
	DIM. A	DIM. B		DIM. A	DIM. B
02	3.96	7.92	09	31.68	35.64
03	7.92	11.88	10	35.64	39.60
04	11.88	15.84	11	39.60	43.56
05	15.84	19.80	12	43.56	47.52
06	19.80	23.76	13	47.52	51.48
07	23.76	27.72	14	51.48	55.44
08	27.72	31.68			

ITEM	COMPONENT	Q'TY	MATERIAL	FINISH
A	PEDESTAL	1 PCS	PA66	COLOR:WHITE
<b>JKUN 温州健坤接插件有限公司</b> <b>WENZHOU JKUN CONNECTOR CO., LTD.</b>				
X.±0.5	X.±5'	USE:	CUSTOMER	
.X±0.3	.X±2'	APPD:	邵敬和	
.XX±0.25	.XX±1'	CHKD:	田峰	
--	--	DR:	吴丹平	
UNITS: mm			TITLE: - 3.96mmPITCH Housing	
			PART NO.: A3962Y-**-A6W-P	
			DWG NO.: JKUN/GCCP-0578	
			SCALE 1 : 1	SHEET 1 / 1