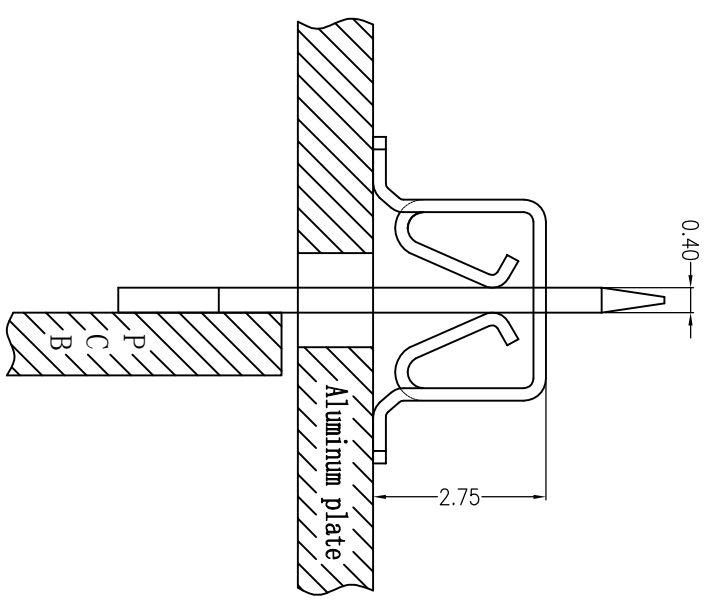
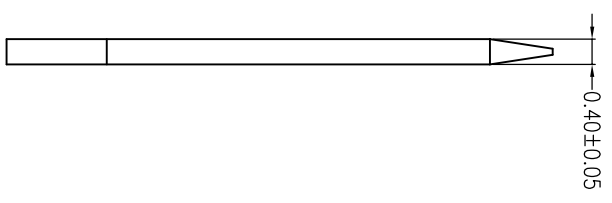
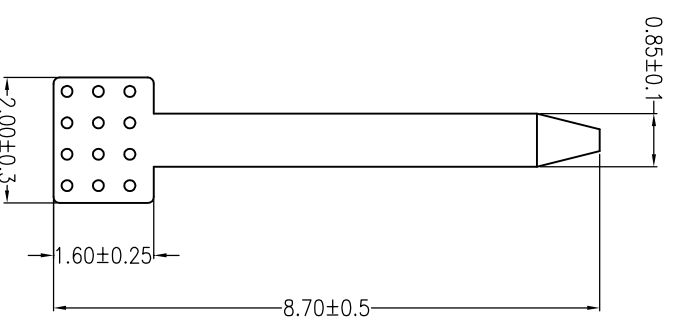


REV	ECN No.	DESCRIPTION	DESIGN	DATE
A	-	NEW RELEASE	蒋建银	2018.01.29



### Assembly Layout

### 主要技术参数 Main Specifications

线数 (Poles): 01  
 接触电阻 (Contact resistance):  $\leq 20m\Omega$   
 绝缘电阻 (Insulation resistance):  
 额定电压 (Rated voltage): 250 V AC DC  
 额定电流 (Rated current): 1.0A AC DC  
 耐电压 (Withstand Voltage):  
 温度范围 (Temperature Range):  $-45^{\circ}C \sim +125^{\circ}C$

### ORDER INFORMATION:

L032B-01-000G2-R-8.7  
 REFERENCE CIRCUITS:  
 01 PLASTIC MATERIAL:  
 000=No plastic parts  
 SPECIAL CODE:  
 针长: 8.7  
 K=REEL  
 PACKAGING:  
 METAL CODE:  
 2=Brass  
 PLATING:  
 G=Ni

ITEM	COMPONENT	QTY	MATERIAL	FINISH
A	CONTACT	1 PCS	Brass	Ni-plated

JKUN 温州健坤连接器有限公司 WENZHOU JKUN CONNECTOR CO.,LTD.		TITLE: L032B-8.7R	
.X±0.35	X.±	USE: CUSTOMER	PART NO.:
.XX±0.25	X±	APPD: 邵敏和	L032B-01-000G2-R-8.7
.XXX±0.15	.XX±	CHKD: 田峰	DWG NO.:
--	--	DR: 蒋建银	JKUN/GCCP-0057
UNITS: mm		SCALE 1:1	SHEET 1/1