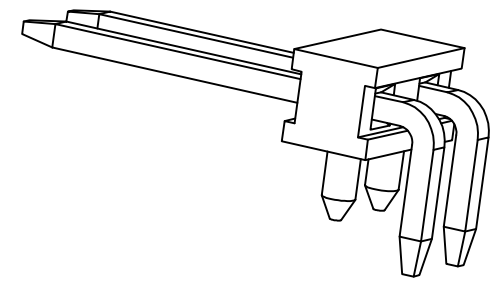
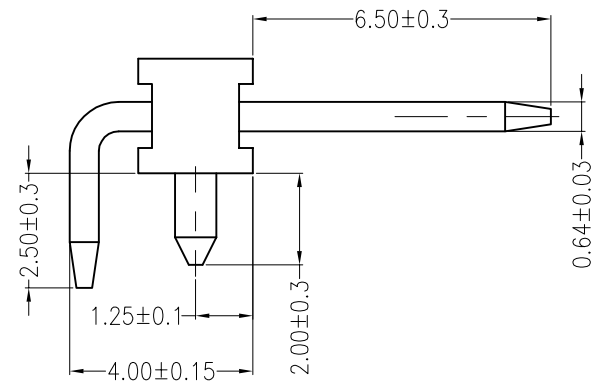
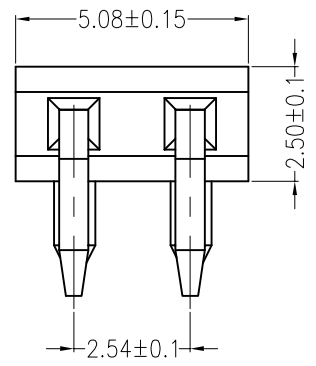


REV	DESCRIPTION	DESIGN	DATE
A0	Release	吴丹平	2016.11.28



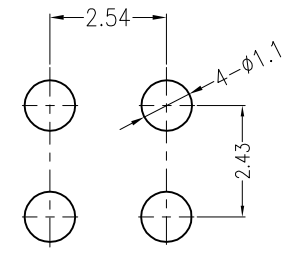
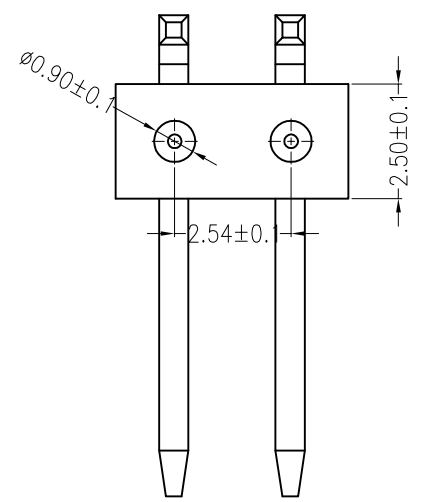
**主要技术参数 Main Specifications**

- 线 数 (Poles): 02 to 06
- 接触电阻 (Contact resistance):  $\leq 20m\Omega$
- 绝缘电阻 (Insulation resistance):  $\geq 1000M\Omega$
- 额定电压 (Rated voltage): 125V AC DC
- 额定电流 (Rated current): 1.0A AC DC
- 耐 电压 (Withstand Voltage): 1500V AC/minute
- 温度范围 (Temperature Range):  $-40^{\circ}C \sim +120^{\circ}C$

**ORDER INFORMATION:**

**L039A-02-F2MB-P**

PART No.			
No. FOR CIRCUITS:	02	PACKAGING:	P=PE
PLASTIC MATERIAL:	F2M=LCP (BEIGE)	PLATING:	B=MATTE Sn



**Board Layout**

ITEM	COMPONENT	Q'TY	MATERIAL	FINISH
C				
B	CONTACT	2 PCS	Brass	Sn-plated
A	PEDESTAL	1 PCS	LCP	UL 94V-0, COLOR:BEIGE

<b>JKUN</b> 温州健坤接插件有限公司 <b>WENZHOU JKUN CONNECTOR CO., LTD.</b>		TITLE: - 2.54mmPITCH 90°WAFER DIP TYPE	
X.±0.5	X.±5'	USE:	PART NO.:
.X±0.3	.X±2'		
.XX±0.25	.XX±1'	APPD: 邵敬和	DWG NO.:
--	--	CHKD: 田 峰	JKUN/GCCP-0102
	UNITS:	DR: 吴丹平	SCALE
	mm		1 : 1
			SHEET
			1 / 1