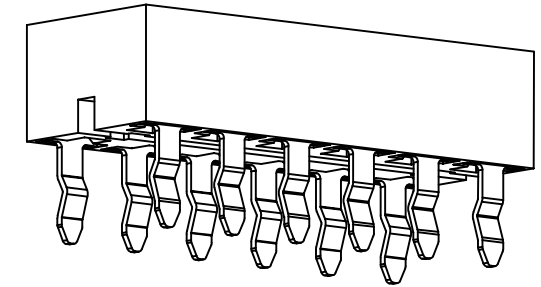


REV	ECN No.	DESCRIPTION	DESIGN	DATE
A0		Release	李润	2015.12.28



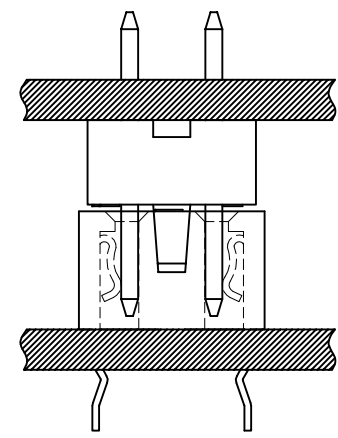
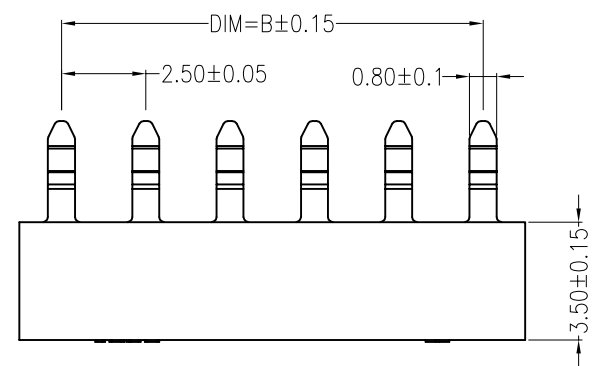
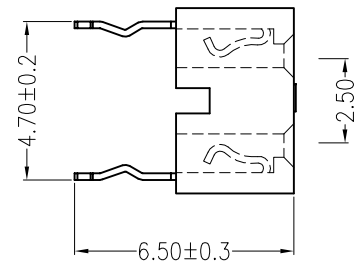
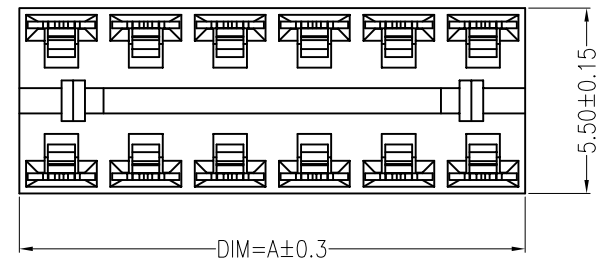
主要技术参数 Main Specifications

- 线 数 (Poles): 04 to 12
- 接触电阻 (Contact resistance): $\leq 20m\Omega$
- 绝缘电阻 (Insulation resistance): $\geq 1000M\Omega$
- 额定电压 (Rated voltage): 125V AC DC
- 额定电流 (Rated current): 1.0A AC DC
- 耐电压 (Withstand Voltage): 1000V AC/minute
- 温度范围 (Temperature Range): $-40^{\circ}C \sim +110^{\circ}C$

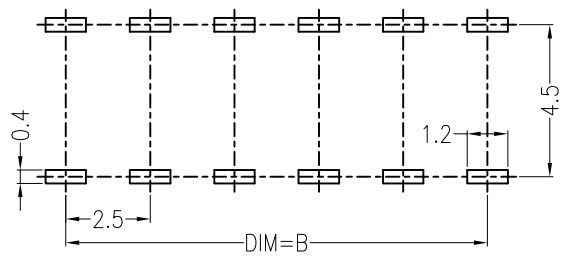
ORDER INFORMATION:

L041Y-*-B1MB-P**

PART No. _____	PACKAGING: P=PE
No. FOR CIRCUITS: _____	PLATING: B=MATTE Sn
202~206	
PLASTIC MATERIAL: _____	
B1M=PA46 (BEIGE)	



Assembly Layout



SUGGESTED PCB LAYOUT (COMPONENT SIDE)

Circuit	Dimensions (mm)	
	DIM=A	DIM=B
L041Y-2X2	5.00	2.50
L041Y-2X3	7.50	5.00
L041Y-2X4	10.00	7.50
L041Y-2X5	12.50	10.00
L041Y-2X6	15.00	12.50

C				
B	CONTACT	4~12PCS	PhosphorBronze	MATTE Sn
A	HOUSING	1 PCS	PA46	UL 94V-0, COLOR:BEIGE
ITEM	COMPONENT	Q'TY	MATERIAL	FINISH

JKUN 温州健坤接插件有限公司
WENZHOU JKUN CONNECTOR CO.,LTD.

USE: CUSTOMER
APPD: 邵敬和
CHKD: 田峰
DR: 吴丹平

UNITS: mm

TITLE: -
2.5mmPITCH 180°WAFER DIP TYPE

PART NO.: L041Y-***-B1MB-P
DWG NO.: JKUN-GCCP-0069
SCALE: 1 : 1
SHEET: 1 / 1