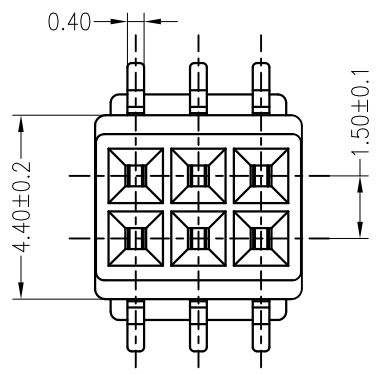
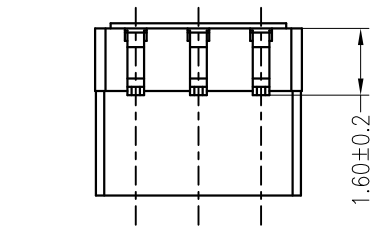
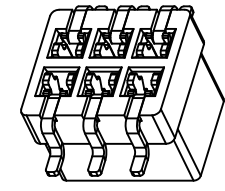
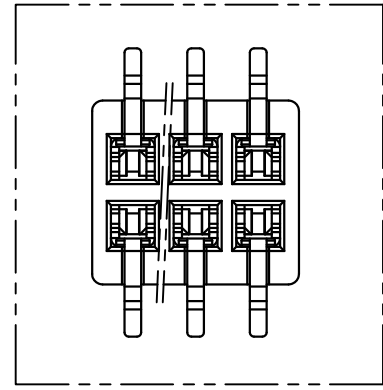
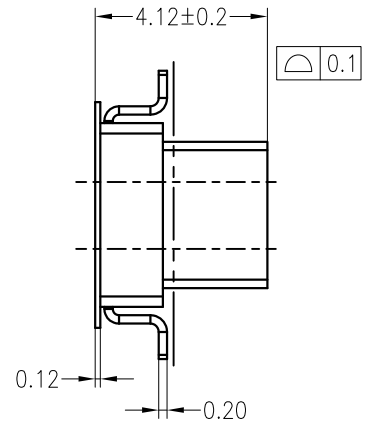
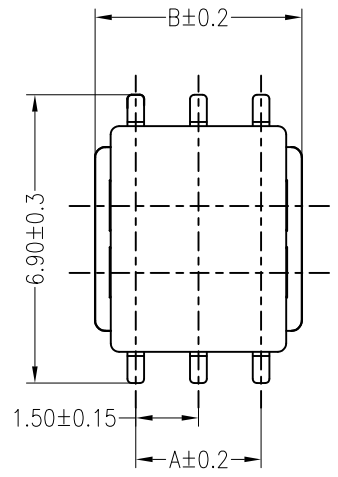
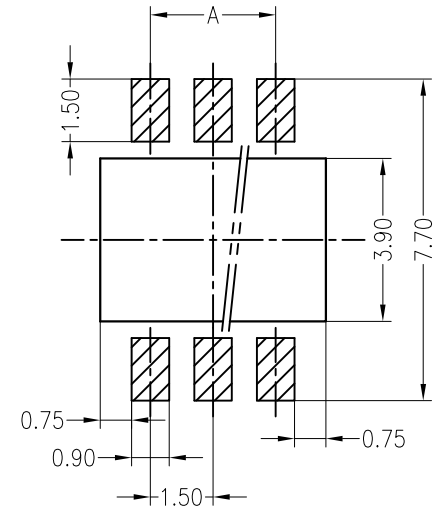


REV	ECN No.	DESCRIPTION	DESIGN	DATE
B	-	Release	-	2021.01.29



PCB LAYOUT

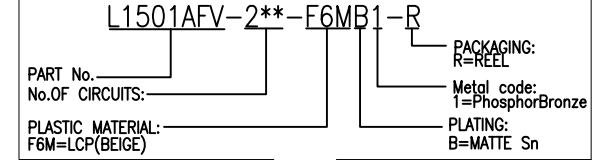


PIN.	DIM A	DIM B
2*2	1.50	3.50
2*3	3.00	5.00
2*4	4.50	6.50
2*5	6.00	8.00
2*6	7.50	9.50
2*7	9.00	11.00
2*8	10.50	12.50

主要技术参数 Main Specifications

线 数 (Poles): 04 to 16
 接触电阻 (Contact resistance): $\leq 30m\Omega$
 绝缘电阻 (Insulation resistance): $\geq 500M\Omega$
 额定电压 (Rated voltage): 250V AC DC
 额定电流 (Rated current): 1.0A AC DC
 耐 电 压 (Withstand Voltage): 500V AC/minute
 温度范围 (Temperature Range): $-40^{\circ}C \sim +110^{\circ}C$

ORDER INFORMATION:



ITEM	COMPONENT	Q'TY	MATERIAL	FINISH
C	MYLAR	1 PCS		
B	CONTACT	n PCS	PhosphorBronze	Sn-plated
A	HOUSING	1 PCS	LCP	UL 94V-0, COLOR:BEIGE

JKUN 温州健坤接插件有限公司
 WENZHOU JKUN CONNECTOR CO., LTD.

TITLE: L1501AFV
 -

USE: CUSTOMER
 APPD: 邵敬和
 CHKD: 田峰
 DR: 蒋建银

PART NO.: L1501AFV-2**-F6MB1-R
 DWG NO.: JKUN-GCKH-1172

SCALE: 1 : 1
 SHEET: 1 / 1

UNITS: mm