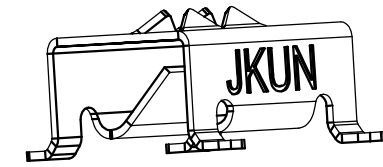
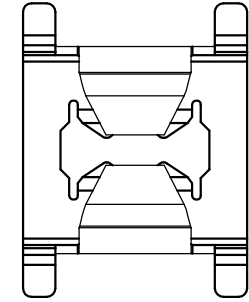
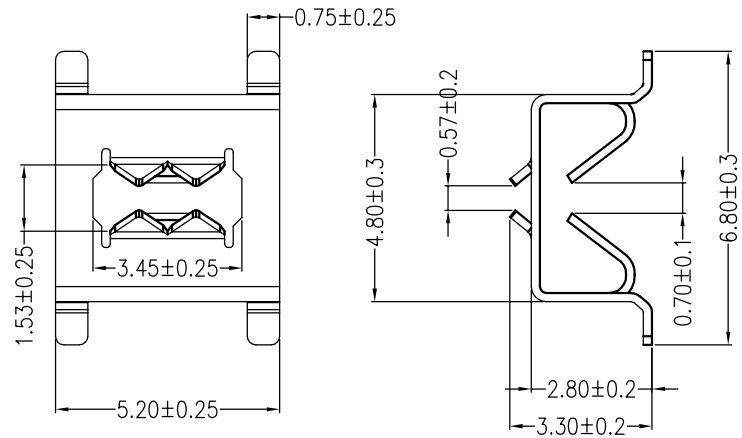


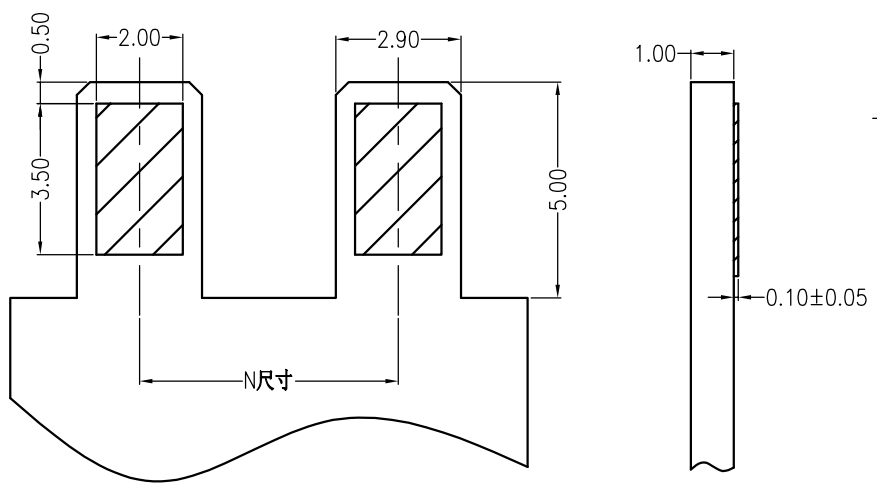
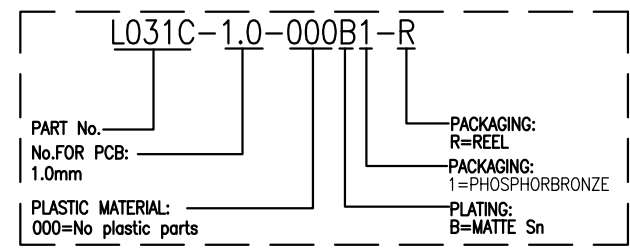
REV	ECN No.	DESCRIPTION	DESIGN	DATE
A0		Release	曾令青	2018.08.24



主要技术参数 Main Specifications

板厚 (thickness): 1.0mm
 接触电阻 (Contact resistance): $\leq 20m\Omega$
 额定电压 (Rated voltage): 250 V AC DC
 额定电流 (Rated current): 1.0A AC DC
 温度范围 (Temperature Range): $-45^{\circ}C \sim +125^{\circ}C$

ORDER INFORMATION:



Mating PCB detail

Board Layout

ITEM	COMPONENT	Q'TY	MATERIAL	FINISH
A	CONTACT	1 PCS	PHOSPHORBRONZE	MATTE Sn-plated

JKUN 温州健坤接插件有限公司 WENZHOU JKUN CONNECTOR CO., LTD.		TITLE: -	
X.±0.5	X.±5'	USE: CUSTOMER	PART NO.: L031C-1.0-000B1-R
.X±0.3	.X±2'	APPD: 邵敬和	DWG NO.: JKUN-GCCP-1226
.XX±0.25	.XX±1'	CHKD: 田峰	SCALE: 1 : 1
---	---	DR: 曾令青	SHEET: 1 / 1