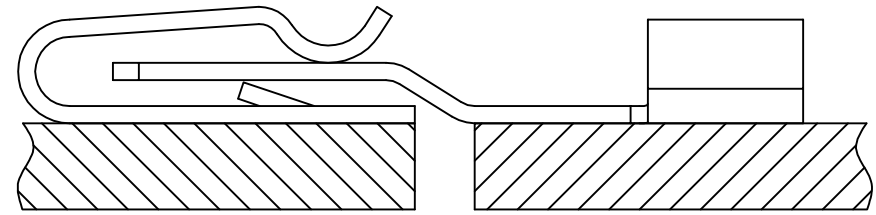
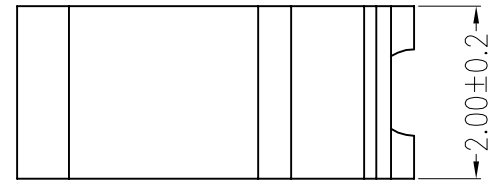
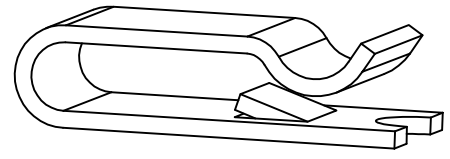
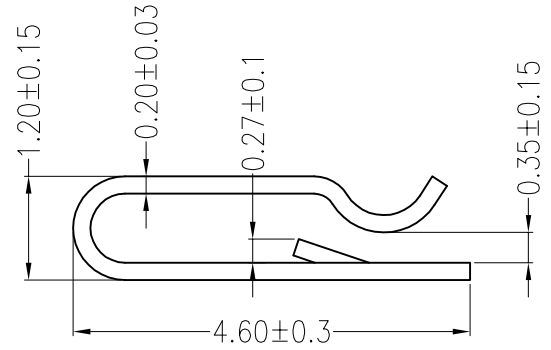


REV	DESCRIPTION	DESIGN	DATE
A0	Release	吴丹平	2016.04.30



### Assembly Layout



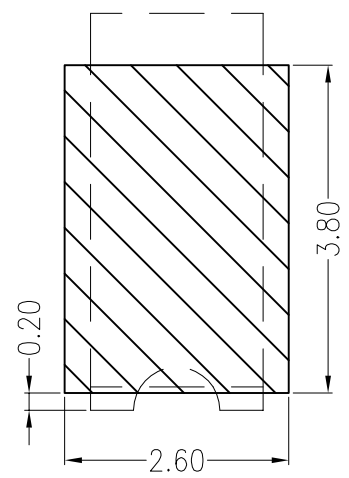
### 主要技术参数 Main Specifications

- 线数 (Poles): 01
- 接触电阻 (Contact resistance):  $\leq 20m\Omega$
- 绝缘电阻 (Insulation resistance):  $\geq 800M\Omega$
- 额定电压 (Rated voltage): 250 V AC DC
- 额定电流 (Rated current): 3.0A AC DC
- 耐电压 (Withstand Voltage): 1500V AC/minute
- 温度范围 (Temperature Range):  $-45^{\circ}C \sim +125^{\circ}C$

### ORDER INFORMATION:

**L059B-01-T2CB-R**

PART No. _____	PACKAGING: R=REEL
No. FOR CIRCUITS: 01	PLATING: B=MATTE Sn
PLASTIC MATERIAL: T2C=PBR (BEIGE)	



### Board Layout

General Tolerance:  $\pm 0.05$

ITEM	COMPONENT	Q'TY	MATERIAL	FINISH
A	CONTACT	1 PCS	PhosphorBronze	MATTE Sn-plated
<b>JKUN</b> 温州健坤接插件有限公司 WENZHOU JKUN CONNECTOR CO.,LTD.				TITLE: -
X.±0.5	X.±5'	USE:	CUSTOMER	
.X±0.3	.X±2'	APPD:	邵敬和	
.XX±0.25	.XX±1'	CHKD:	田峰	
--	--	DR:	蒋建银	
UNITS: mm		SCALE	SHEET	
		1 : 1	1 / 1	