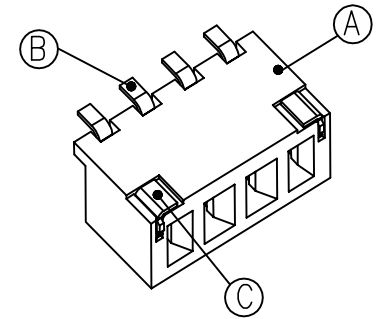
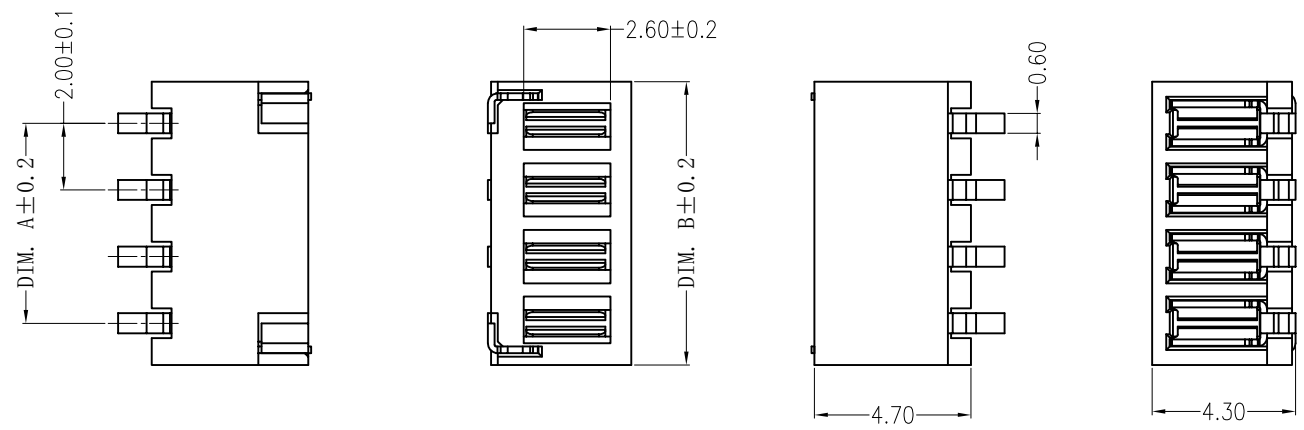
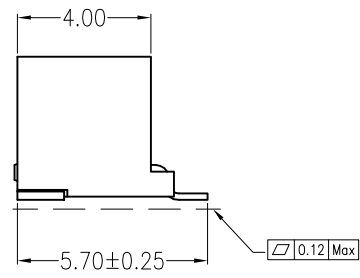
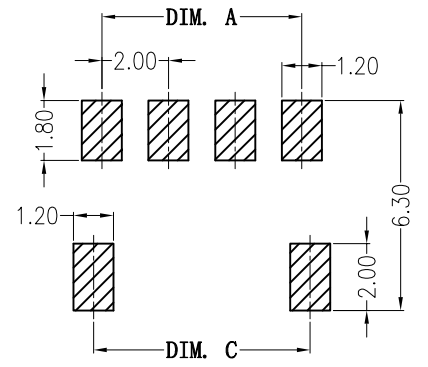


REV	ECN No.	DESCRIPTION	DESIGN	DATE
A0	-	Release	吴丹平	2017.10.26

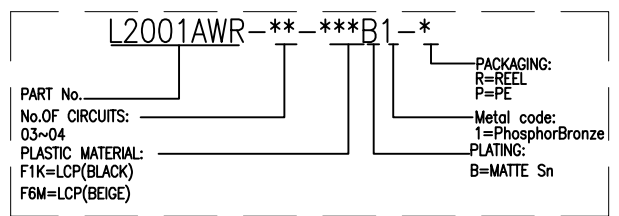


Circuit	Dimensions (mm)		
	DIM. A	DIM. B	DIM. C
03	4.00	6.50	4.50
04	6.00	8.50	6.50



主要技术参数 Main Specifications

线 数 (Poles): 03 to 04
 接触电阻 (Contact resistance): $\leq 30m\Omega$
 绝缘电阻 (Insulation resistance): $\geq 1000M\Omega$
 额定电压 (Rated voltage): 275V AC DC
 额定电流 (Rated current): 1.0A AC DC
 耐 电压 (Withstand Voltage): 1000V AC/minute
 温度范围 (Temperature Range): $-40^{\circ}C \sim +120^{\circ}C$



ITEM	COMPONENT	Q'TY	MATERIAL	FINISH
C	CONTACT	2 PCS	PhosphorBronze	MATTE Sn-Tip
B	COVER	2~4 PCS	PhosphorBronze	MATTE Sn-Tip
A	HOUSING	1 PCS	LCP	UL 94V-0, COLOR:BLACK/BEIGE

JKUN 温州健坤接插件有限公司 WENZHOU JKUN CONNECTOR CO.,LTD.			TITLE: 2.0Pitch 90°wafer smt type	
.X±0.35	X.±	USE:	PART NO.:	
.XX±0.25	.X±	CUSTOMER	L2001AWR-**-***B1-*	
.XXX±0.15	.XX±	APPD: 邵敬和	DWG NO.:	
--	--	CHKD: 田峰	JKUN/GCCP-0415	
UNITS: mm		DR: 蒋建银	SCALE	SHEET
			1 : 1	1 / 1