

A

B

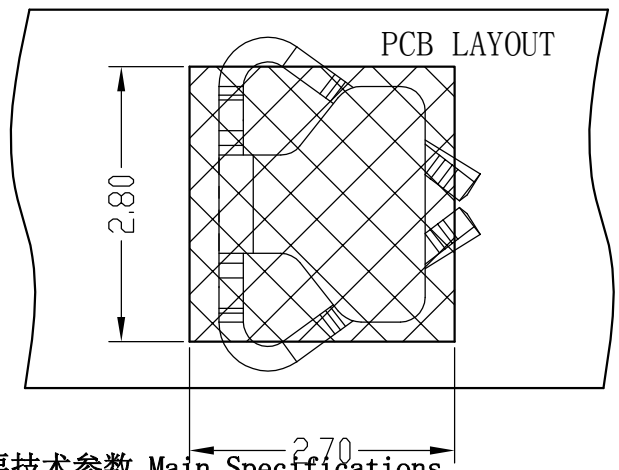
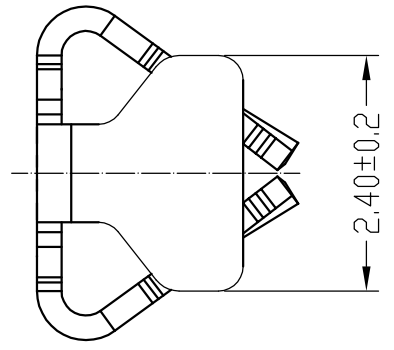
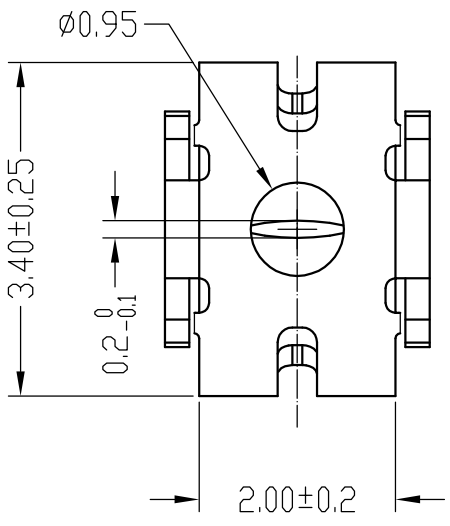
C

D

E

F

REV	ECN No.	DESCRIPTION	DESIGN	DATE
A1		Release	-	2018.11.07



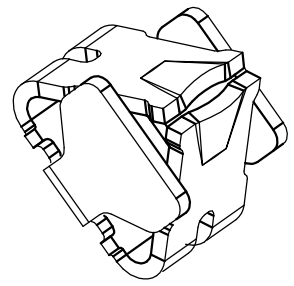
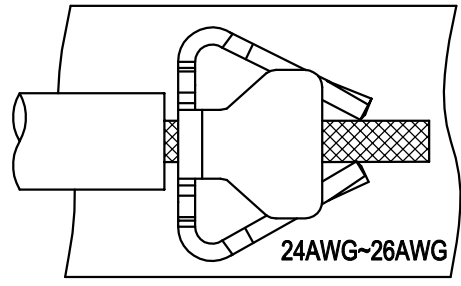
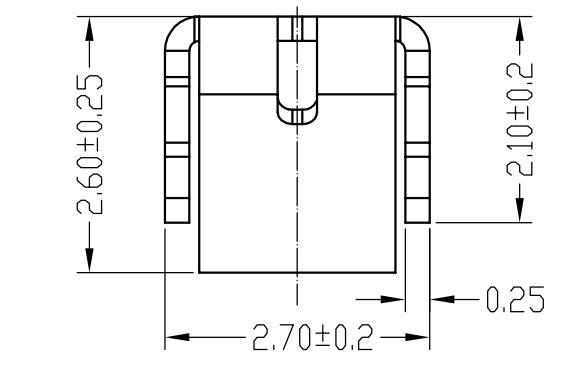
**主要技术参数 Main Specifications**

- 线 数 (Poles): 01
- 接触电阻 (Contact resistance): ≤30mΩ
- 额定电压 (Rated voltage): 275V AC DC
- 额定电流 (Rated current): 1.0A AC DC
- 温度范围 (Temperature Range): -40°C ~ +125°C

**ORDER INFORMATION:**

**L079K-01-000B1-R**

PART No.		PACKAGING:	
No. FOR CIRCUITS:		R=REEL	
01		METAL CODE:	
PLASTIC MATERIAL:		1=PhosphorBronze	
000=No plastic parts		PLATING:	
		B=MATTE Sn	



A	CONTACT	1 PCS	PhosphorBronze	MATTE Sn-plated
ITEM	COMPONENT	Q'TY	MATERIAL	FINISH
<b>JKUN 温州健坤接插件有限公司</b> WENZHOU JKUN CONNECTOR CO.,LTD.				TITLE: -
X.±0.5	X.±5'	USE:	CUSTOMER	PART NO.:
.X±0.3	.X±2'	APPD:	邵敬和	L079K-01-000B1-R
.XX±0.25	.XX±1'	CHKD:	田峰	DWG NO.:
--	--	DR:	蒋建银	JKUN-GCCP-1125
⊕	UNITS:	mm		SCALE
				1 : 1
				SHEET
				1 / 1

A

B

C

D

E

F

1

2

3

4

5

1

2

3

4

5