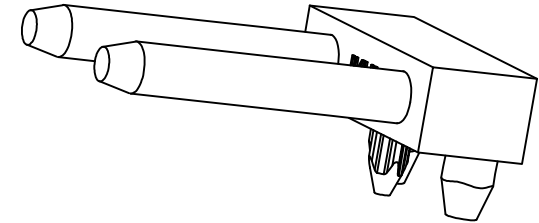
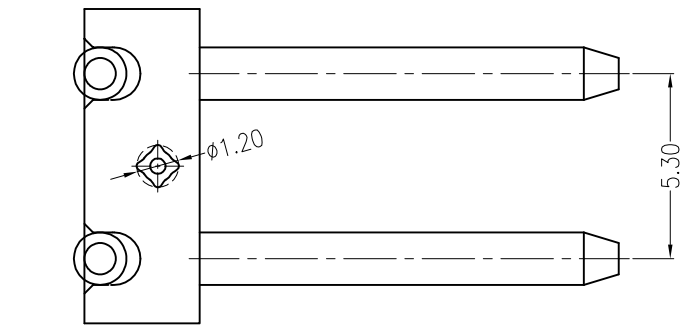
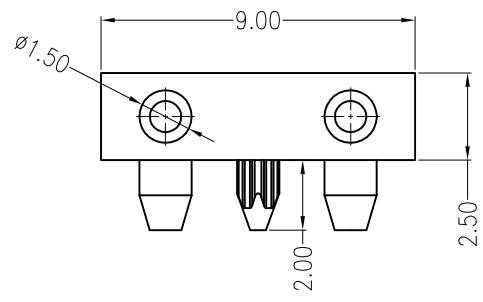
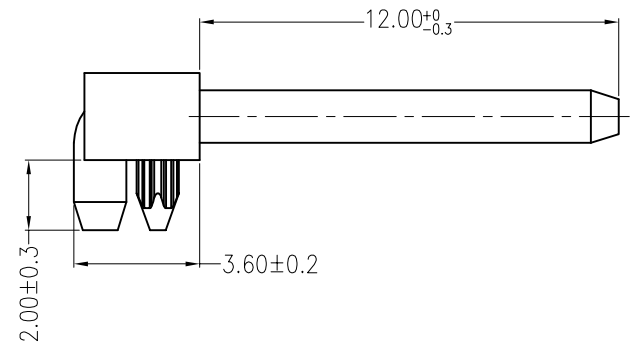


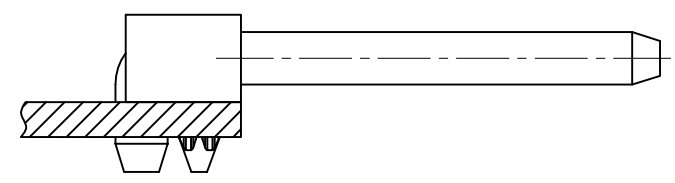
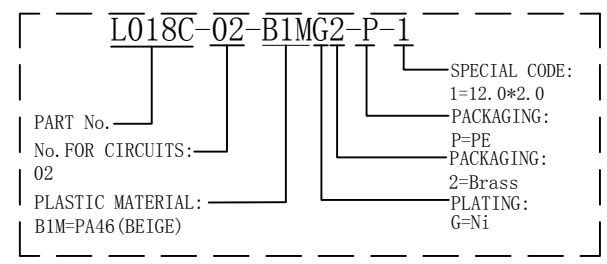
REV	ECN No.	DESCRIPTION	DESIGN	DATE
A0		Release	吴丹平	2017.05.08



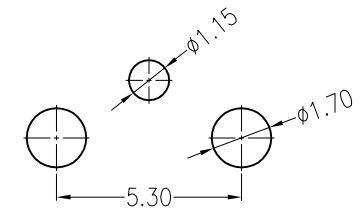
主要技术参数 Main Specifications

- 线数 (Poles): 02
- 接触电阻 (Contact resistance): $\leq 20m\Omega$
- 绝缘电阻 (Insulation resistance): $\geq 1000M\Omega$
- 额定电压 (Rated voltage): 250V AC DC
- 额定电流 (Rated current): 3.0A AC DC
- 耐电压 (Withstand Voltage): 1000V AC/minute
- 温度范围 (Temperature Range): $-40^{\circ}C \sim +110^{\circ}C$

ORDER INFORMATION:



Assembly Layout



Board Layout
General Tolerance: ± 0.05

ITEM	COMPONENT	Q'TY	MATERIAL	FINISH
C				
B	CONTACT	2 PCS	Brass	Ni-plated
A	PEDESTAL	1 PCS	PA46	UL 94V-0, COLOR:BEIGE

JKUN 温州健坤接插件有限公司 WENZHOU JKUN CONNECTOR CO., LTD.	TITLE: L018C-02-1P 5.3mmPITCH 90°WAFER DIP TYPE
	PART NO.: L018C-02-B1MG2-P-1
	DWG NO.: JKUN/GCCP-0467
	SCALE: 1 : 1 SHEET: 1 / 1

X.±0.5	X.±5°	USE:	CUSTOMER
.X±0.3	.X±2°	APPD:	邵敬和
.XX±0.25	.XX±1°	CHKD:	田峰
--	--	DR:	吴丹平